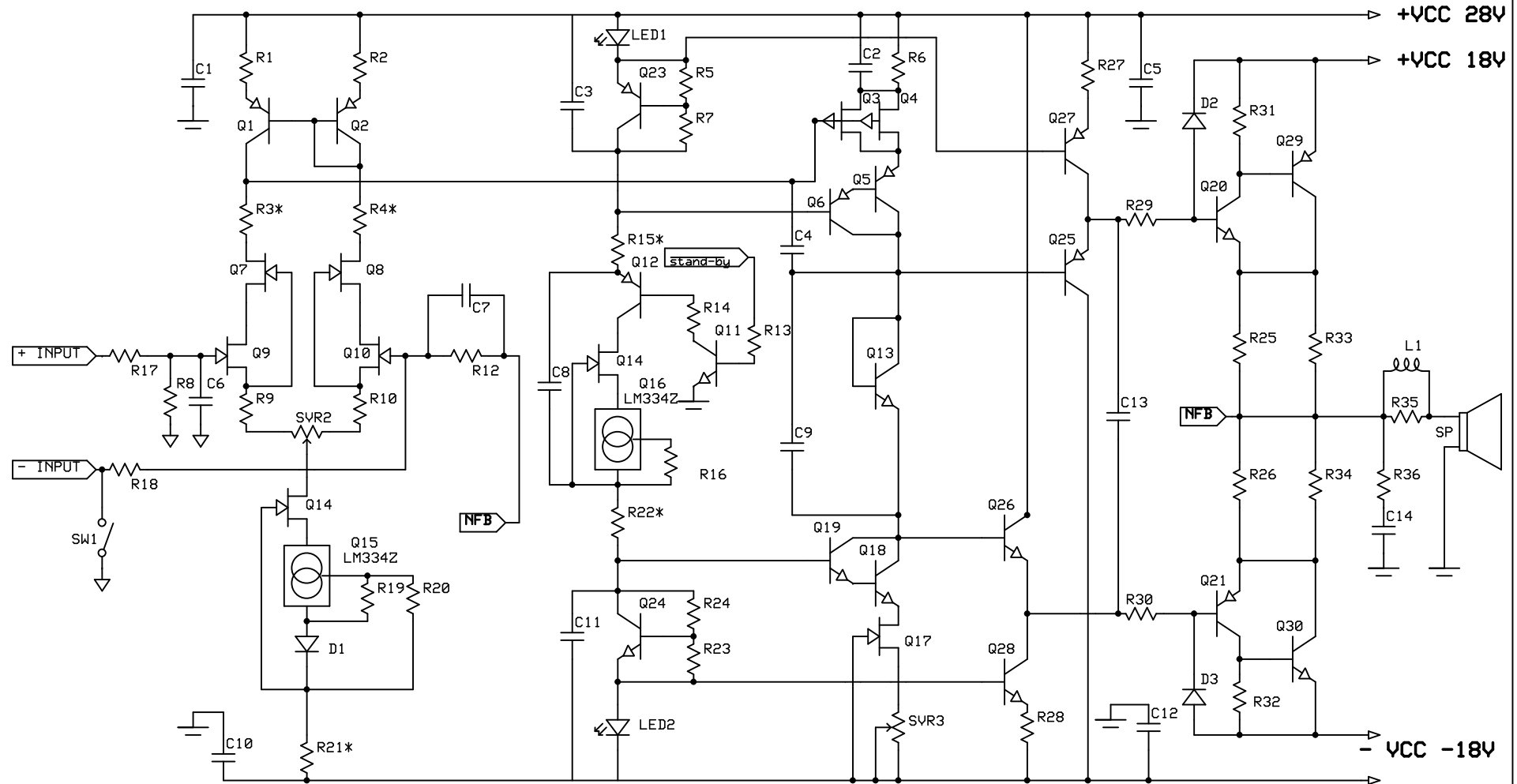


1st differential stage

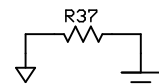
voltage reference

2nd P-JFET SE stage

sziklai-darlington
Diamond output Buffer



components with * are for high voltage supply



<http://asaas.idv.tw>

ULTIMA-SDDB Class-A Power Amp v1.0

mtlin12

Rev 1.0
2005/3/25

Page 1 OF 1